

# MOBILE SHOWER COMMODE

## Tilt in Space, attendant propelled.

The K Care Tilt in Space mobile shower commode has been redesigned giving a new modern look with improved features!

### NEW FEATURES

- Left and right side frame access
- Increased max user weight of 200kg
- Now compatible with standard left and right side opening seats (including pressure relieving)

### FEATURES

- Standard left and right side opening
- Extra high PVC strap backrest for improved comfort and safety
- Integrated push handle for maneuverability
- Swing-up armrest for unrestricted transfers
- Padded armrest and calf supports for improved comfort and support
- Removable upper backrest section
- Removable, swing-away and height adjustable footrests
- Tilt mechanism with twin gas strut for a smooth and easy tilting experience

### SPECIFICATIONS

Description	Overall Width	Overall Length	Overall Height	Product Weight	SWL	Seat Width	Seat Depth	Backrest Height	Floor to Seat Height
Mobile Shower Commode KF11507	570mm	1070mm	1453mm	24kg	200kg	445mm	430mm	875mm	550mm

#### Padded Armrests

Designed to keep your arms comfortable and provide stability



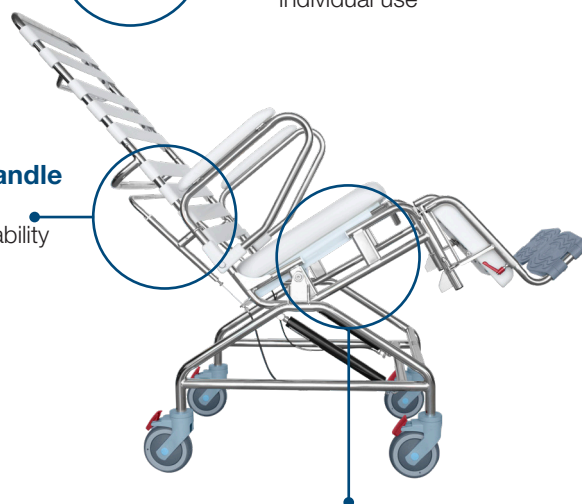
#### Locking castors

Allowing for a safe and convenient height for individual use



#### Integrated push handle for tilt mechanism

For ease of maneuverability and patient handling



#### New frame design

Integrates left and right side access into the frame

Improving your  
life everyday™

[kcare.com.au](http://kcare.com.au)

**KCare**  
Healthcare Solutions

## STANDARD SEATS

Model	Foam Type	Colour	Seat Width	Seat Depth	Hole Depth	Hole Width	Hole Location from Rear	Seat Thickness
KA110PU	Polyurethane Open	Blue	445mm	435mm	260mm	200mm	90mm	40mm
KA11HOP	Standard Open	White	445mm	435mm	260mm	200mm	90mm	55mm
KF01131	Pressure Care Open	Grey	445mm	435mm	225mm	185mm	90mm	65mm
KA11CPU	Polyurethane Closed	Blue	445mm	435mm	260mm	200mm	90mm	40mm
KA11HCP	Standard Closed	White	445mm	435mm	260mm	200mm	90mm	55mm
KF01132	Pressure Care Closed	Grey	445mm	435mm	225mm	185mm	90mm	65mm
KA11HLP	Standard Open Left	White	445mm	435mm	260mm	210mm	90mm	55mm
KA11HLPC	Pressure Care Left	Grey	445mm	435mm	225mm	185mm	80mm	65mm
KA11HRP	Standard Right	White	445mm	435mm	260mm	210mm	90mm	55mm
KA11HRPC	Pressure Care Right	Grey	445mm	435mm	225mm	185mm	80mm	65mm

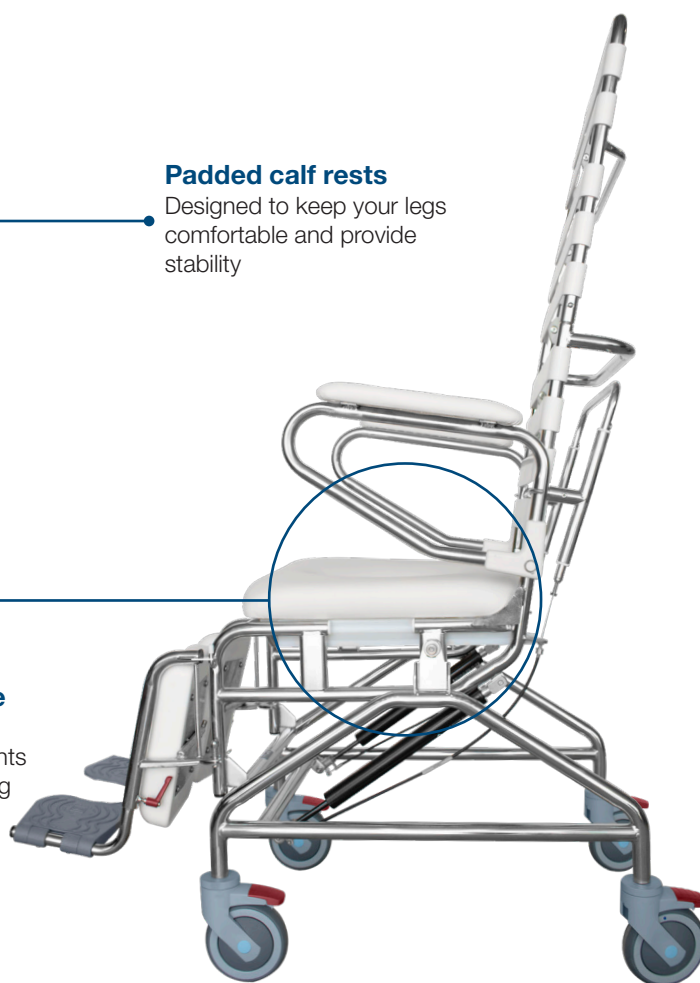


### Padded calf rests

Designed to keep your legs comfortable and provide stability

### Waterproof and sterile material

Suitable for wet environments and allows for easy cleaning and sterilisation



Improving your  
life everyday™

[kcare.com.au](http://kcare.com.au)

**KCare**  
Healthcare Solutions